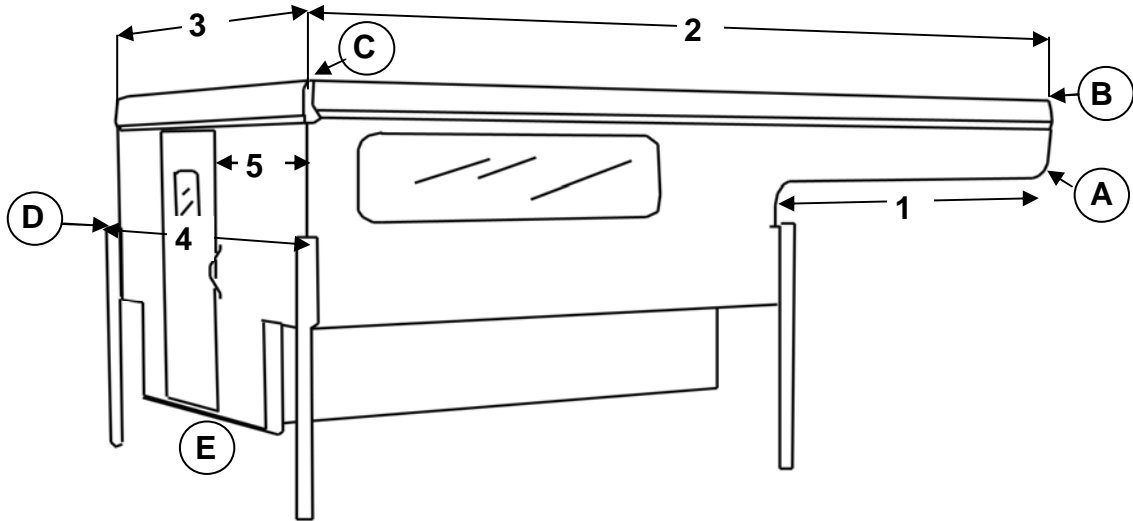




# DIMENSION SHEET - POP-UP TRUCK CAMPER



**Lengths - Measured Horizontally**

- # 1 Length of cabover \_\_\_\_\_
- # 2 Roof Length \_\_\_\_\_

**Widths, Measured Side to Side**

- # 3 Width of camper body \_\_\_\_\_
- # 4 Width at top of rear jacks \_\_\_\_\_
- # 5 Distance from side to entry door \_\_\_\_\_

**Heights (from ground in stored position)**

- A Height to bottom of cabover \_\_\_\_\_
- B Height at front of roof \_\_\_\_\_
- C Height at rear of roof \_\_\_\_\_
- D Height at top of jacks \_\_\_\_\_
- E Ground Clearance \_\_\_\_\_

**Camper Information**

- 1 Do you have any awnings? \_\_\_\_\_ How far does it extend out from the side (closed) \_\_\_\_\_  
Location? \_\_\_\_\_
- 2 Do you have any other accessories \_\_\_\_\_ If yes, Please sketch in dimensions

NOTES:

---

---

---

---

---

---

---

---

---

---

A photo of the camper will help us make the pattern. The photo can be returned if requested.

YEAR \_\_\_\_\_ NAME \_\_\_\_\_

MAKE \_\_\_\_\_ Daytime phone \_\_\_\_\_

MODEL \_\_\_\_\_ Date of order \_\_\_\_\_

FLOOR PLAN \_\_\_\_\_