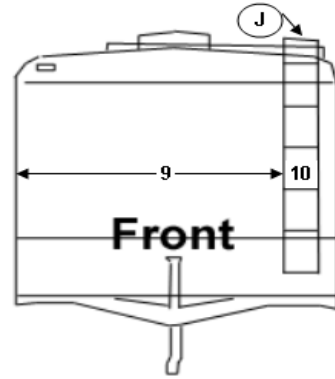
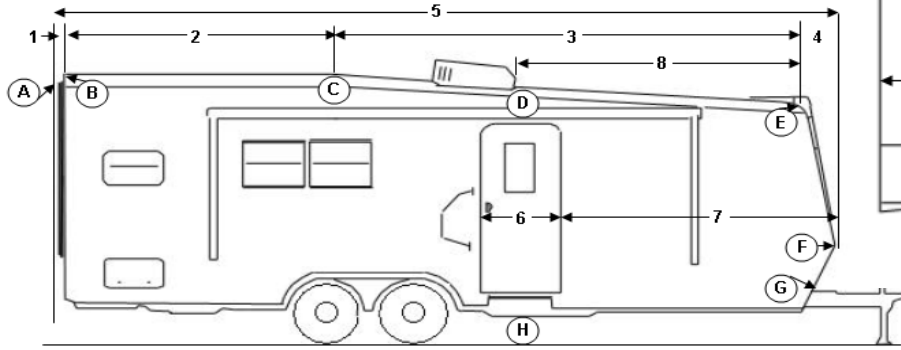




## DIMENSION SHEET - SPORT UTILITY TRAVEL TRAILER

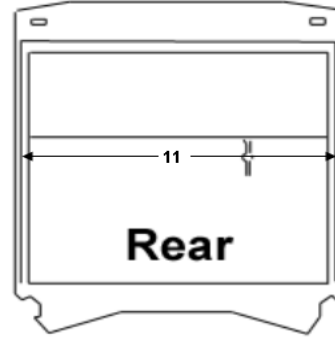


### Lengths - Measured Horizontally

- # 1 Rear ramp to rear of roof \_\_\_\_\_
- # 2 Rear of roof to slant in roof \_\_\_\_\_
- # 3 Slant in roof to front of roof \_\_\_\_\_
- # 4 Front of roof to front of trailer \_\_\_\_\_
- # 5 Overall Length \_\_\_\_\_

If you have measured correctly, the total of # 1 through # 4 should be the same as # 5.

Rear ramp door is optional. An additional charge will be added for rear ramp zipper entry.



- # 6 Door width \_\_\_\_\_
- # 7 Trailer front to front edge of door \_\_\_\_\_
- # 8 Front of roof to front of AC \_\_\_\_\_
- # 9 Distance from curb-side to ladder \_\_\_\_\_
- # 10 Ladder width \_\_\_\_\_
- # 11 Rear ramp width \_\_\_\_\_

### Heights - Measured from Ground

- A Height at top of ramp \_\_\_\_\_
- B Height of roof at rear \_\_\_\_\_
- C Height of roof at slant \_\_\_\_\_
- D Height of roof at front of AC \_\_\_\_\_
- E Height of roof at front \_\_\_\_\_
- F Height at point "F" \_\_\_\_\_
- G Height at top of tongue \_\_\_\_\_
- H Road clearance \_\_\_\_\_
- J Height to top of ladder \_\_\_\_\_

### Widths, Measured Side to Side at Points Shown

- A Width at top of ramp \_\_\_\_\_
- B Width of roof at rear \_\_\_\_\_
- C Width of roof at slant \_\_\_\_\_
- D Width of roof at front of AC \_\_\_\_\_
- E Width of roof at front \_\_\_\_\_
- F Width at point "F" \_\_\_\_\_

A photo of the trailer will help us make the pattern. The photo can be returned if requested.

### Trailer Information

- 1 Do you have an awning? \_\_\_\_\_ How far does it extend out from the side (closed) \_\_\_\_\_  
Driver or passenger side? \_\_\_\_\_
- 2 Do you have a 2nd AC? \_\_\_\_\_ Measure the distance between the two \_\_\_\_\_
- 3 Do you have a roof rack? \_\_\_\_\_ Front or rear? \_\_\_\_\_ Height from roof \_\_\_\_\_

YEAR \_\_\_\_\_ Name \_\_\_\_\_

MAKE \_\_\_\_\_ Daytime phone \_\_\_\_\_

MODEL \_\_\_\_\_ Date of order \_\_\_\_\_

FLOOR PLAN \_\_\_\_\_