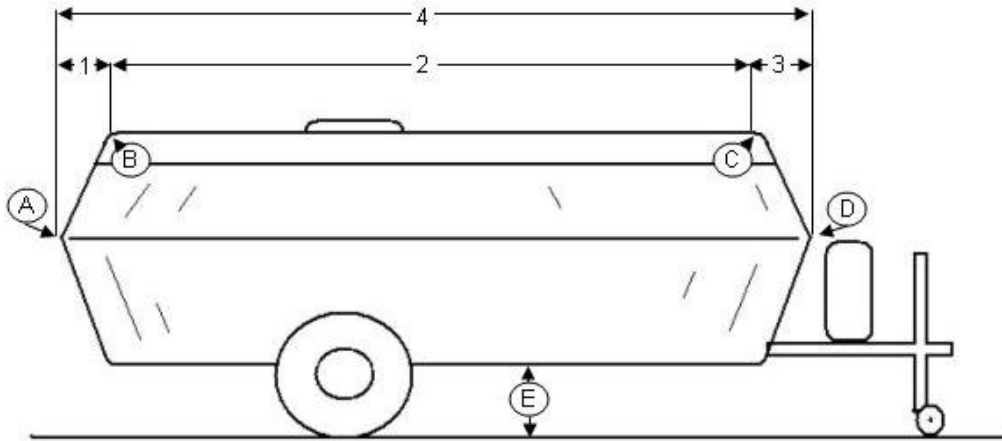




**DIMENSION SHEET - FOLDING TENT TRAILER (POP-UP)**



**Lengths - Measured Horizontally**

- 1 Rear of trailer to rear of roof \_\_\_\_\_
- 2 Rear of roof to front of roof \_\_\_\_\_
- 3 Front of roof to front of trailer \_\_\_\_\_
- 4 Overall length of trailer body \_\_\_\_\_

If measured correctly, #4 should equal #1 thru #3

**Heights - Measured from Ground**

- A Height to rear of trailer \_\_\_\_\_
- B Height to rear of roof \_\_\_\_\_
- C Height to front of roof \_\_\_\_\_
- D Height to front of trailer \_\_\_\_\_
- E Ground clearance \_\_\_\_\_

**Trailer Information**

Year \_\_\_\_\_  
 Make \_\_\_\_\_  
 Model \_\_\_\_\_  
 Floor Plan \_\_\_\_\_

**Widths - Measured at points shown**

- A Width at rear of trailer \_\_\_\_\_
- B Width at rear of roof \_\_\_\_\_
- C Width at front of roof \_\_\_\_\_
- D Width at front of trailer \_\_\_\_\_

**Questions (Sketch on diagram if needed)**

- 1. Does the trailer have an awning? \_\_\_\_\_  
 If yes, give dimension information \_\_\_\_\_
- 2. Does the trailer have an air conditioner? \_\_\_\_\_  
 If yes, give dimension information \_\_\_\_\_
- 3. Does the trailer have a rear spare? \_\_\_\_\_  
 If yes, give dimension information \_\_\_\_\_
- 4. Does the trailer have any other roof-mounted accessories (racks, skylights, etc.)? \_\_\_\_\_  
 If yes, give dimension information \_\_\_\_\_

*A photo of the trailer will help us make the pattern.  
 The photo will be returned if requested*